



户用储能系统

Household Energy Storage



离网光伏储能逆变器

应用场景

无电，缺电，电力不稳定地区，无电机等冲击性负载的场景

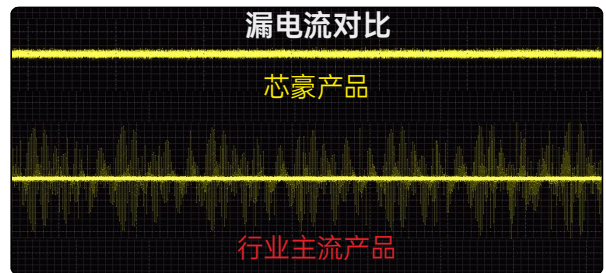
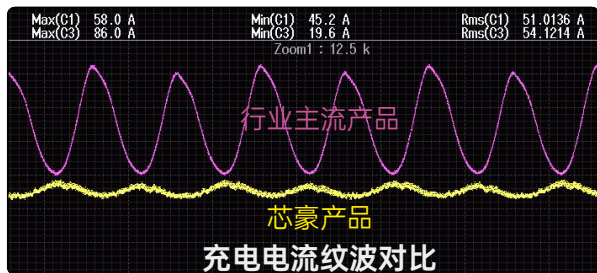


产品特性

- ◎ 集成 MPPT 控制器，MPPT 效率高达 99.9%
- ◎ 具备过载、短路、过欠压、过欠频、反灌等安全保护功能
- ◎ 拥有市电旁路、逆变器输出两种输出模式，具备不间断供电功能
- ◎ 兼容铅酸电池、锂电池、胶体电池等
- ◎ 可选 4G、WIFI 或 GPRS 远程通讯模块

产品亮点

- ◎ 适应性强：无电池亦可旁路输出，确保重要负载不断电
- ◎ 支持单相并网及三相组网并网，最大并网数可达10台
- ◎ 采用特殊逆变架构，可靠抑制漏电流，领先于行业
- ◎ 具备升维驱动功能，带载功率更大，带载种类更多
- ◎ 优异充电电流控制技术，有效控制充电电流纹波
- ◎ 机器猫外观，新颖形象，活力亲切
- ◎ 可定制化设计，满足客户不同需求
- ◎ 具备自动除尘功能
- ◎ 智能电网自适应，支持弱电网情况下正常发电

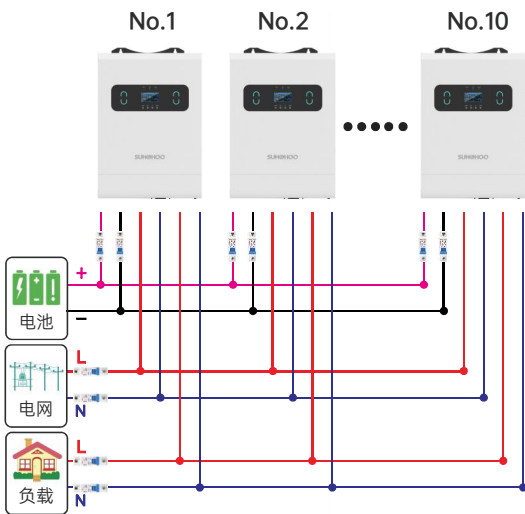


产品特征介绍

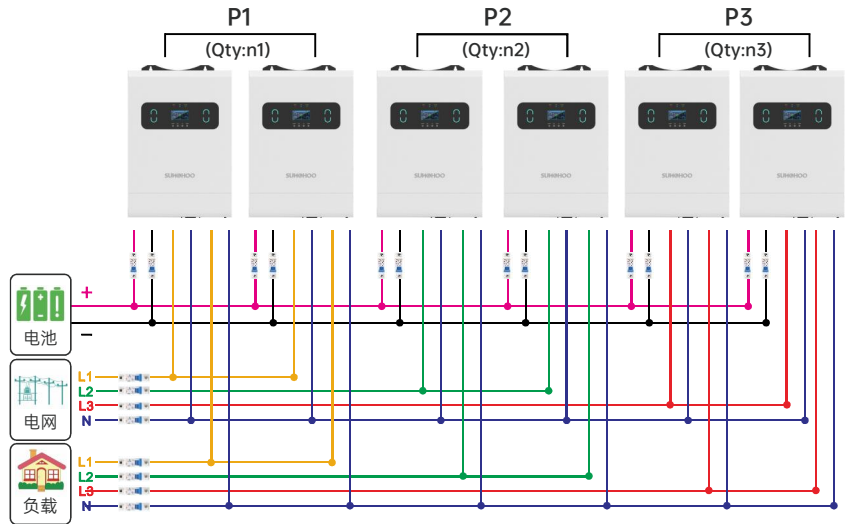




单相并机系统图(最多10台)



三相组网系统图($n_1+n_2+n_3 \leq 10$)



HS1033EN24L~1055EN48P系列(无PV)产品参数

型号	HS1033EN24L	HS1033EN48L	HS1045EN48L	HS1055EN48L	HS1055EN48P
电池电压	24Vdc	48Vdc	48Vdc	48Vdc	48Vdc
电池类型	铅酸电池、锂电池、胶体电池等				
输出					
额定输出功率	3600VA/3300W	3600VA/3300W	5000VA/4500W	6000VA/5500W	6000VA/5500W
并机功能	不支持	不支持	不支持	不支持	支持, 最多 10 台
额定输出电压	230Vac $\pm 4\%$				
额定输出频率	50/60Hz ± 0.3 (自适应)				
输出波形	纯正弦波				
转换效率	93.8%				
额定电流	14.3A	14.3A	19.6A	23.9A	23.9A
切换时间	10ms(典型值)				
交流输入					
最大充电电流	60A	30A	60A	60A	60A
交流输入电压范围 (UPS 模式)	170~280Vac, $\pm 2\%$				
频率范围	(47-55Hz) ± 0.3 / (57-65Hz) ± 0.3				
电池输入					
电压范围	20~33Vdc	40~60Vdc			
最大充电电流	100A	60A	100A	100A	100A
默认充电电流	30A	15A	30A	30A	30A
常规参数					
尺寸 W*D*H (mm)	372*269*100			470*330*125	
安装方式	壁挂式				
重量 (kg)	10			12	
通讯方式	RS485, 可选 WIFI/4G			RS485/干接点控制, 可选 WIFI/GPRS/4G	
工作环境					
工作环境温度	-10°C~55°C				
储存环境温度	-20°C~60°C				
相对湿度	5%~95% 无凝露				
海拔高度	< 2000m				
防护等级	IP20				
认证					
安规认证	CE (IEC62109-1)				
EMC 认证	IEC/EN61000-6-1/3, CLASS B				



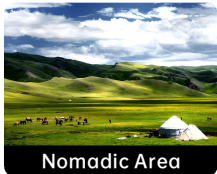
HOUSEHOLD ENERGY STORAGE SYSTEM

OFF-GRID SOLAR INVERTER



Application Scenarios

Scenarios of no power, lack of power, power instability area, no motor and other impact load scene

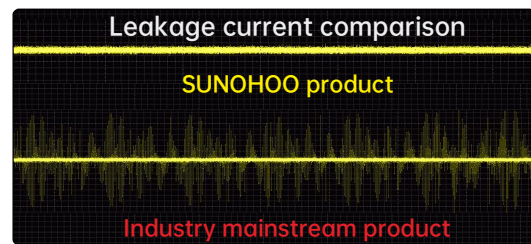
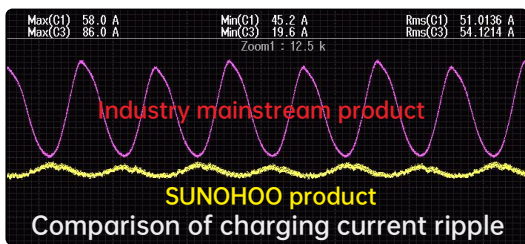


Product Features

- ⊙ Integrated MPPT controller, with efficiency up to 99.9%.
- ⊙ With short circuit, under-voltage, overload, anti-reflux and other safety protection functions.
- ⊙ Compatible with lead-acid, lithium batteries, gel batteries, etc.
- ⊙ With two kinds of output modes(mains bypass & inverter output), it can supply the power uninterruptedly.
- ⊙ RS485, WIFI or GPRS telecommunication modules are optional

Product Highlight

- ⊙ Adopt special inverter architecture to reliably suppress leakage current, leading the industry.
- ⊙ Excellent charging current control technology, effectively controlling the charging current ripple.
- ⊙ Equipped with uphill driving function, with higher load power and more types of loads.
- ⊙ With automatic dust removal function.
- ⊙ Customizable design to meet different customer needs.
- ⊙ No battery, bypass output ensures uninterrupted power for critical loads.
- ⊙ The Maximum Supports up to 10 parallel machines, and three-phase group grid.
- ⊙ Power grid self-adaptation, supporting normal power generation under weak grid conditions.
- ⊙ The appearance is like a robotic cat, lively and friendly.



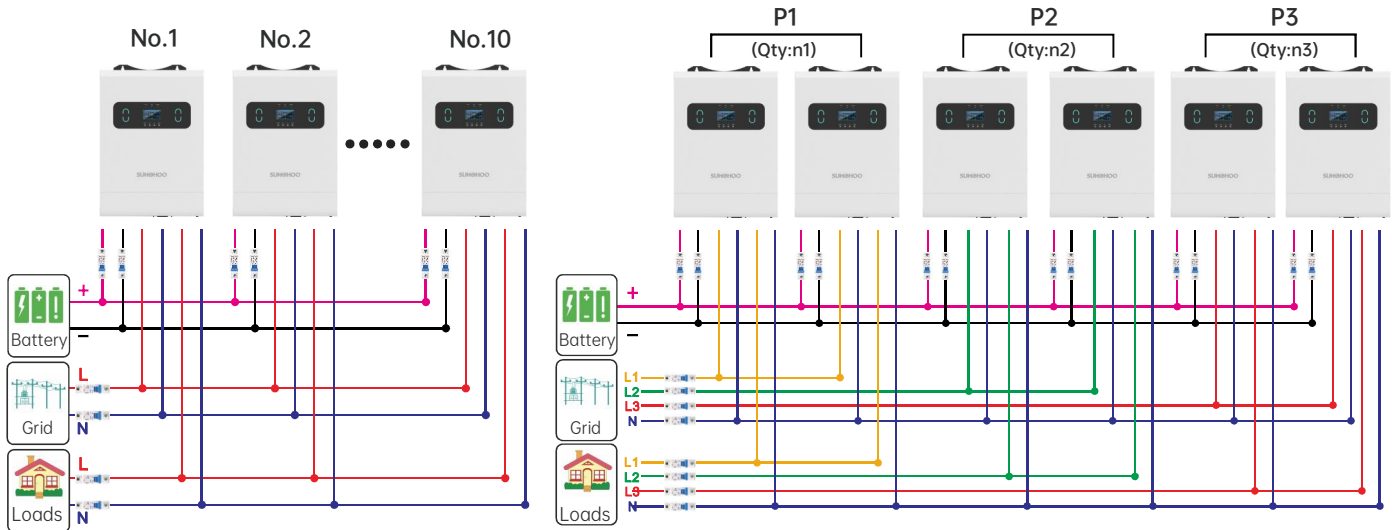
Product Appearance





The system diagram of single-phase power grid (Max. 10 units)

The system diagram of three-phase power grid($n1+n2+n3 \leq 10$)



HS1033EN24L~HS1055EN48P SERIES

MODEL	HS1033EN24L	HS1033EN48L	HS1045EN48L	HS1055EN48L	HS1055EN48P
Battery Voltage	24Vdc	48Vdc	48Vdc	48Vdc	48Vdc
Battery Type	Lead-acid, lithium batteries, gel batteries, etc				
Output					
Rated Output Power	3600VA/3300W	3600VA/3300W	5000VA/4500W	6000VA/5500W	6000VA/5500W
Parallel Function	N/A	N/A	N/A	N/A	Yes, up to 10 units
Rated Output Voltage	230Vac ±4%				
Rated Output Frequency	50/60Hz ±0.3(Adaptive)				
Output Waveform	Pure sine wave				
Efficiency(Peak)	93.8%				
Rated Current	14.3A	14.3A	19.6A	23.9A	23.9A
Transfer Time	10ms(Typical value)				
AC Input					
Max Charging Current	60A	30A	60A	60A	60A
AC Input Voltage Range (UPS mode)	170~280Vac,±2%				
Frequency Range	(47-55Hz) ±0.3 / (57-65Hz) ±0.3				
Battery Input					
Voltage Range	20~33Vdc	40~60Vdc			
Max Charging Current	100A	60A	100A	100A	100A
Default Charging Current	30A	15A	30A	30A	30A
General Parameters					
Dimension. W*D*H(mm)	372*269*100		470*330*125		
Installation Method	Wall-mounted				
Weight (kg)	10		12		
Communication Mode	RS485, Optional WIFI/4G		RS485/Dry contact control, Optional WIFI/GPRS/4G		
Operating Environment					
Operating Ambient Temperature	-10°C~55°C				
Storage Ambient Temperature	-20°C~60°C				
Humidity	5%~95% Non-condensation				
Altitude	< 2000m				
Protection Degree	IP20				
Certifications					
Safety Certification	CE (IEC62109-1)				
EMC Certifications	IEC/EN61000-6-1/3,CLASS B				