



户用储能系统

Household Energy Storage



离网光伏储能逆变器

Products

应用场景

无电，缺电，电力不稳定地区，无电机等冲击性负载的场景

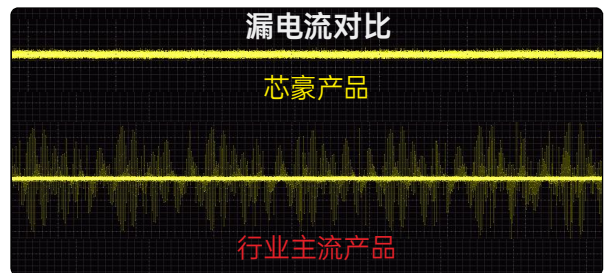
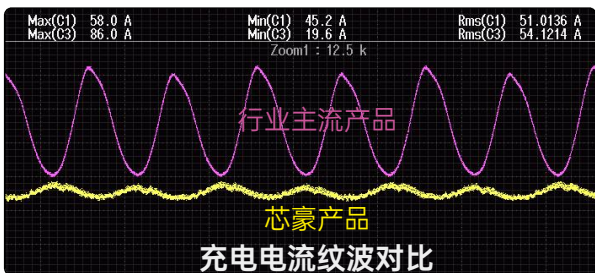


产品特性

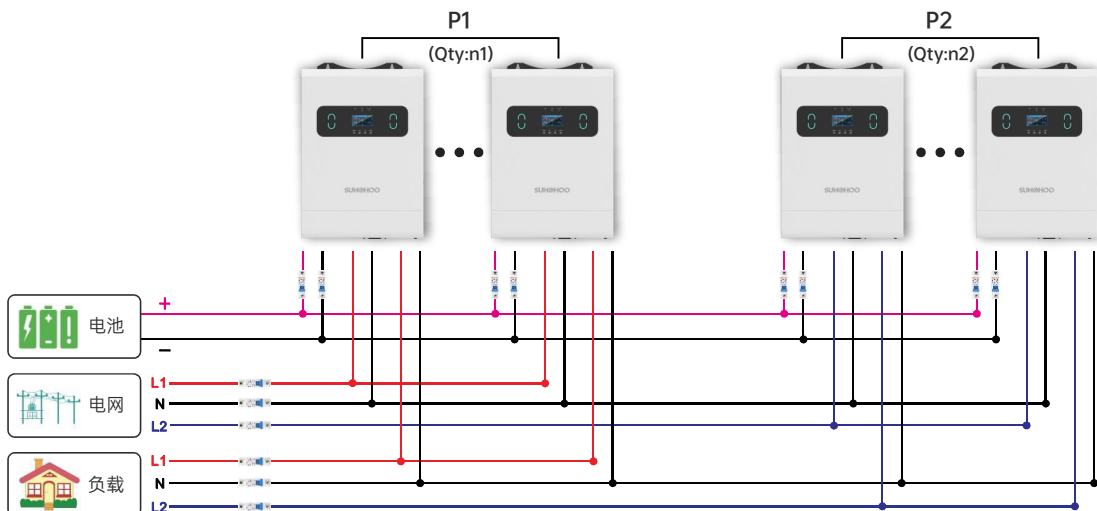
- 集成 MPPT 控制器，MPPT 效率高达 99.9%
- 拥有市电旁路、逆变器输出两种输出模式，具备不间断供电功能
- 兼容铅酸电池、锂电池、胶体电池等
- 四种充电模式可选：市电优先、光伏优先、混合充电、仅光伏
- 具备过载、短路、过欠压、过欠频、反灌等安全保护功能
- 可选 4G、WIFI 或 GPRS 远程通讯模块

产品亮点

- 适应性强：无电池亦可旁路输出，确保重要负载不断电
- 采用特殊逆变架构，可靠抑制漏电流，领先于行业
- 优异充电电流控制技术，有效控制充电电流纹波
- 可定制化设计，满足客户不同需求
- 智能电网自适应，支持弱电网情况下正常发电
- 支持单相并机及裂相组网并机，最大并机数可达10台
- 具备升维驱动功能，带载功率更大，带载种类更多
- 机器猫外观，新颖形象，活力亲切
- 可设置光伏并网发电模式
- 具备自动除尘功能



裂相组网系统图(n1+n2≤10)





HS1020UH24L~1030UH48P系列(美版)产品参数

型号	HS1020UH24L	HS1030UH24P	HS1020UH48L	HS1030UH48P
电池电压	24Vdc	24Vdc	48Vdc	48Vdc
电池类型	铅酸电池、锂电池、胶体电池等			
输出				
额定输出功率	2000VA/2000W	3000VA/3000W	2000VA/2000W	3000VA/3000W
并机功能	不支持	支持, 最多10台	不支持	支持, 最多10台
额定输出电压	120Vac ±4%			
额定输出频率	50/60Hz ±0.3(自适应)			
输出波形	纯正弦波			
转换效率	93.8%			
额定电流	16.7A	25A	16.7A	25A
切换时间	10ms(典型值)			
PV 输入				
最大输入功率	2200W	3300W	2200W	3300W
MPPT 电压范围	100~250Vdc			
最大输入电压	270Vdc			
最大充电电流	80A	120A	40A	60A
PV 防反功能	有			
交流输入				
最大充电电流	40A	60A	20A	30A
交流输入电压范围 (UPS 模式)	90~140Vac, ±2%			
频率范围	(47-55Hz) ±0.3 / (57-65Hz) ±0.3			
电池输入				
电压范围	20~30Vdc		40~60Vdc	
最大充电电流	80A	120A	40A	60A
默认充电电流	30A	30A	30A	30A
常规参数				
尺寸 W*D*H (mm)	300*115*400			
安装方式	壁挂式			
重量 (kg)	8	9	8	9.5
通讯方式	RS485/ 干接点控制, 可选 WIFI/GPRS/4G			
工作环境				
工作环境温度	-10°C~55°C			
储存环境温度	-20°C~60°C			
相对湿度	5%~95% 无凝露			
海拔高度	< 2000m			
防护等级	IP20			
认证				
安规认证	CE(IEC62109-1)/CETL(UL 1741 C22.2 NO.107.1)			
EMC 认证	IEC/EN61000-6-1/3, CLASS B			

规格指标若有变动, 恕不另行通知。



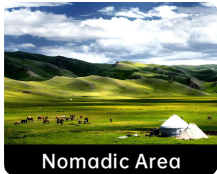
HOUSEHOLD ENERGY STORAGE SYSTEM

OFF-GRID SOLAR INVERTER



Application Scenarios

Scenarios of no power, lack of power, power instability area, no motor and other impact load scene

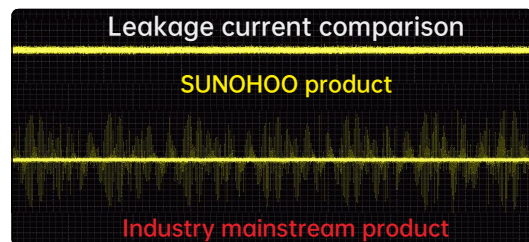
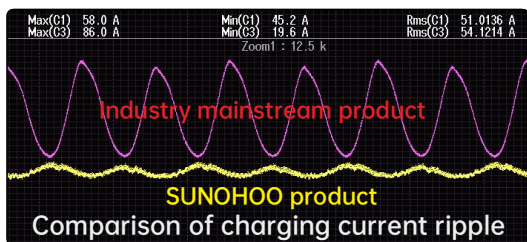


Product Features

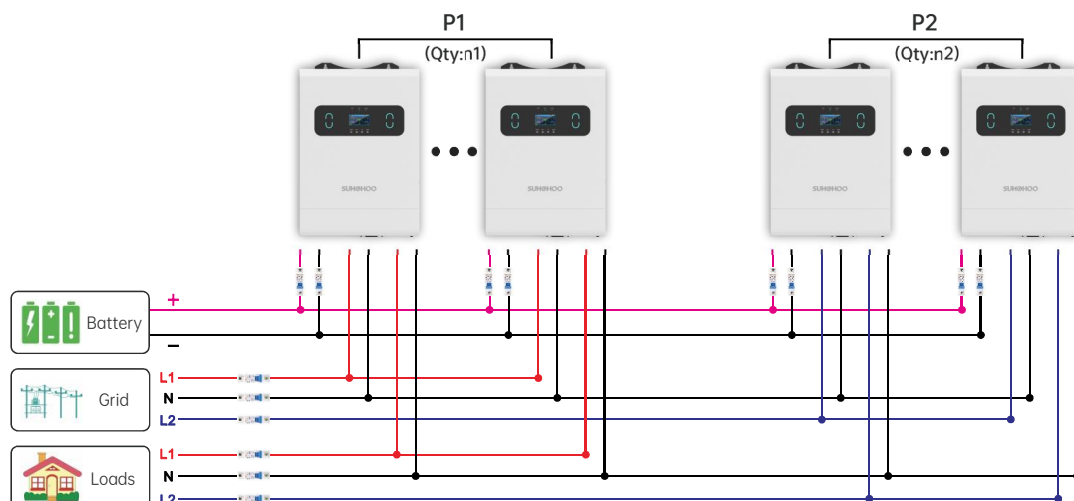
- ⊙ Integrated MPPT controller, with efficiency up to 99.9%.
- ⊙ With short circuit, under-voltage, overload, anti-reflux and other safety protection functions.
- ⊙ Compatible with lead-acid, lithium batteries, gel batteries, etc.
- ⊙ With two kinds of output modes(mains bypass & inverter output), it can supply the power uninterruptedly.
- ⊙ 4 types of charging modes are optional: mains priority, photovoltaic priority, hybrid charging, only solar energy
- ⊙ RS485, WIFI or GPRS telecommunication modules are optional

Product Highlight

- ⊙ Adopt special inverter architecture to reliably suppress leakage current, leading the industry.
- ⊙ Excellent charging current control technology, effectively controlling the charging current ripple.
- ⊙ Can set the photovoltaic grid-connected mode.
- ⊙ Equipped with uphill driving function, with higher load power and more types of loads.
- ⊙ With automatic dust removal function.
- ⊙ No battery, bypass output ensures uninterrupted power for critical loads.
- ⊙ The Maximum Supports up to 10 parallel machines, and three-phase group grid.
- ⊙ Power grid self-adaptation, supporting normal power generation under weak grid conditions.
- ⊙ The appearance is like a robotic cat, lively and friendly.
- ⊙ Customizable design to meet different customer needs.



The system diagram of split-phase power grid($n1+n2 \leq 10$)





HS1020UH24L ~ 1030UH48P SERIES (US Version)

MODEL	HS1020UH24L	HS1030UH24P	HS1020UH48L	HS1030UH48P
Battery Voltage	24Vdc	24Vdc	48Vdc	48Vdc
Battery Type	Lead-acid, lithium batteries, gel batteries, etc			
Output				
Rated Output Power	2000VA/2000W	3000VA/3000W	2000VA/2000W	3000VA/3000W
Parallel Function	N/A	Yes, up to 10 units	N/A	Yes, up to 10 units
Rated Output Voltage	120Vac ±4%			
Rated Output Frequency	50/60Hz ±0.3(Adaptive)			
Output Waveform	Pure sine wave			
Efficiency(Peak)	93.8%			
Rated Current	16.7A	25A	16.7A	25A
Transfer Time	10ms(Typical value)			
PV Input				
Max Input Power	2200W	3300W	2200W	3300W
MPPT Voltage Range	100~250Vdc			
Max Input Voltage	270Vdc			
Max Charging Current	80A	120A	40A	60A
PV Countercurrent Protection	Yes			
AC Input				
Max Charging Current	40A	60A	20A	30A
AC Input Voltage Range (UPS mode)	90~140Vac,±2%			
Frequency Range	(47-55Hz) ±0.3 / (57-65Hz) ±0.3			
Battery Input				
Voltage Range	20~30Vdc		40~60Vdc	
Max Charging Current	80A	120A	40A	60A
Default Charging Current	30A	30A	30A	30A
General Parameters				
Dimension. W*D*H(mm)	300*115*400			
Installation Method	Wall-mounted			
Weight (kg)	8	9	8	9.5
Communication Mode	RS485/Dry contact control, Optional WIFI/GPRS/4G			
Operating Environment				
Operating Ambient Temperature	-10°C~55°C			
Storage Ambient Temperature	-20°C~60°C			
Humidity	5%~95% Non-condensation			
Altitude	< 2000m			
Protection Degree	IP20			
Certifications				
Safety Certification	CE(IEC62109-1)/CETL(UL 1741 C22.2 NO.107.1)			
EMC Certifications	IEC/EN61000-6-1/3,CLASS B			

Specifications are subject to change without advance notice.